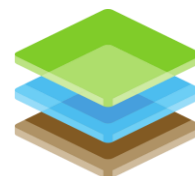


Operating manual

SZ10 pipe puller

Date: April 2022



terra
infrastructure

Information about the operating manual

This manual enables safe and efficient use of the SZ10 pipe puller. The manual forms an integral part of the machine and must be kept in the immediate vicinity of the machine and be accessible to personnel at all times.

Personnel must have carefully read and understood this manual before commencing any work. Compliance with all the safety notes and instructions for use provided in this manual is a basic prerequisite for safe working.

The local occupational health and safety regulations and general safety regulations for the machine's area of use apply too.

The manufacturer's Customer Service department

Please contact the manufacturer's Customer Service department for technical information:

| | |
|------------------------|----------------------------------------------------------------------------------------------------|
| Manufacturer's address | terra infrastructure GmbH Ottostr. 30, 41836 Hückelhoven-Baal, Germany |
| Phone | +49 2433 453-0 |
| Fax | +49 2433 453-100 |
| Email | trenchshoring@terra-infrastructure.com |
| Web | www.terra-infrastructure.com |

Contents


| | | |
|-----------|--------------------------------------------------------------------|-----------|
| 1 | Information about the manual | 2 |
| 1.1 | Design features of this operating manual | 2 |
| 1.2 | Keeping the manual available | 2 |
| 1.3 | Scope of delivery | 2 |
| 1.4 | Other applicable documents | 3 |
| 1.5 | Target groups | 3 |
| 2 | Safety | 4 |
| 2.1 | Intended use | 4 |
| 2.2 | Personnel qualifications | 4 |
| 2.3 | Ban on unauthorised conversions | 5 |
| 2.4 | Safety equipment | 5 |
| 2.5 | Warning and information signs on the machine | 6 |
| 2.6 | Structure of the warnings | 7 |
| 2.7 | Basic safety notes | 8 |
| 3 | Description | 10 |
| 3.1 | Overview of the machine components | 10 |
| 3.2 | Layout of the pipe trolley | 11 |
| 3.3 | Overview of the control bulb | 12 |
| 3.4 | Functional description | 12 |
| 3.5 | Technical data | 13 |
| 4 | Transport and installation | 14 |
| 4.1 | Safety notes | 14 |
| 4.2 | Transporting the machine | 15 |
| 5 | Commissioning | 17 |
| 5.1 | Safety notes | 17 |
| 5.2 | Connecting cables | 18 |
| 5.3 | Installing the machine in the pipe | 19 |
| 5.4 | Inserting an adapter pipe | 20 |
| 5.5 | Fixing the sleeve tensioner in the pipe | 21 |
| 5.6 | Checks before operation | 23 |
| 6 | Operation | 25 |
| 6.1 | Safety notes | 25 |
| 6.2 | Preparing the tie beam | 28 |
| 6.3 | Installing the steel pulling rope and pulling a pipe segment | 29 |
| 6.4 | Decommissioning | 33 |
| 6.5 | Storage | 34 |
| 7 | Maintenance and repair | 35 |
| 7.1 | Safety notes | 35 |
| 7.2 | Overview of maintenance | 36 |
| 7.3 | Repair work | 37 |
| 7.4 | Daily maintenance | 39 |
| 7.5 | Monthly maintenance | 40 |
| 7.6 | Annual maintenance | 40 |
| 8 | Troubleshooting | 42 |
| 9 | Accessories / spare parts | 43 |
| 10 | EC declaration of conformity | 44 |

1 Information about the manual

The SZ10 pipe puller is referred to as the ‘machine’ for short in this manual.

1.1 Design features of this operating manual

The text elements in this operating manual are structured as follows:

| Mark | Explanation |
|-----------------------------------------------------------------------------------|-----------------------------------------|
| | Normal text |
| • | Lists, first level |
| - | Lists, second level |
| 1., 2., 3. ... | Captions |
| ▶ | Instructions for use |
| ↗ | Results of action steps |
|  | Special hints, tips and recommendations |

1.2 Keeping the manual available

This operating manual forms an integral part of the machine.

- ▶ Read this operating manual before operating the machine.
- ▶ Always keep the operating manual with the machine.
- ▶ Ensure that this manual is permanently available to the user at the machine and in a legible condition.
- ▶ Request a new copy from the manufacturer if this manual is lost or becomes unusable.
- ▶ Pass on the operating manual if you sell or otherwise pass on the machine.

1.3 Scope of delivery

The scope of delivery includes the following components:

- Transport box
- Pipe puller with assembled sleeve tensioner, built-in 12 V battery and integrated hydraulic unit
- Battery charger, with operating manual
- Control bulb with control cable and connector plug
- Cable reel
- Two-leg sling chain
- Tie beam
- Optional: One or more adapter pipes

After receiving the machine

- ▶ Check all parts after receiving the machine.
- ▶ If parts are missing or you notice damage, inform the transport company and terra infrastructure immediately.

1.4 Other applicable documents

The following documents form part of this manual:

- Declaration of conformity

1.5 Target groups

This manual is intended for the following target groups:

| Target group | The target group's tasks |
|----------------------|---------------------------------------------------------------------------------------------------------------------------------------------------------------------------------------------------------------------------------|
| Instructed personnel | <ul style="list-style-type: none">• Operates the machine according to sections 1 – 6 of this manual. |
| Specialist | <ul style="list-style-type: none">• Instructs the operating personnel.• May carry out maintenance and repair work in accordance with sections 7 – 8 of this manual in addition to operating the machine. |

The qualifications that the target groups need to have are described in section 2.2 of this manual.

2 Safety

The 'Safety' section contains safety notes that apply to all phases of the machine's life. They do not replace the warnings in the sections that follow.

- ▶ Also observe the warnings in the sections that follow.
- ▶ Also observe the safety and accident prevention regulations applicable at the place of use.

2.1 Intended use

The machine is designed for civil engineering. It is used to pull a pipe segment that has not been laid yet onto a pipe segment that has already been laid and to thereby connect the two pipe segments. It can be used in pipes with diameters ranging from 800 to 2400 mm (also with deviating pipe diameters under certain circumstances).

Intended use also includes observing and following all the information in this operating manual, particularly the safety notes. Any other use is expressly deemed to be unintended and will cause the warranty and liability claims to lapse.

2.2 Personnel qualifications

Instructed personnel's qualifications

The instructed machine operators must meet the following requirements at least:

- They have received instruction in how to operate the machine, so that they can set up and use the machine as intended.
- They are capable of assessing the hazards that the machine and its components pose(s).
- They are familiar with the hazard-preventing measures.
- They understand how the machine works and how the individual components interact.
- They understand the measured values shown.
- They know that improper operation, maintenance and repair can cause accidents.
- They can assess the hazards that electrical voltage and current pose.
- They can assess the hazards that pressurised components pose.
- They can assess hazards and environmental damage that the media and operating supplies used pose.

- They can identify damage to the machine and its components by performing a visual inspection:
 - Missing or defective safety equipment,
 - Leaks,
 - Kinks and damaged insulation on electrical wires,
 - Kinks and external damage to hydraulic hose lines,
 - Incorrect oil level,
 - Missing covers,
 - Deformations or damage to the steel pulling rope.

Specialists' and banksmen's qualifications

The specialists and banksmen must meet the following requirements at least:

- They are trained technicians (e.g. industrial mechanics or mechatronics engineers) who have professional experience.
- They are familiar with the relevant provisions set out by the Civil Engineering Trade Association (BG BAU) and in DIN 4124.
- They can explain to the operators how to use the machine safely.
- They have special knowledge and experience with the machine.
- They can recognise errors and determine what has caused them and recognise error interactions.
- They can identify wear on components at an early stage.
- They are technically qualified to carry out the maintenance and repair work described in this manual.

2.3 Ban on unauthorised conversions

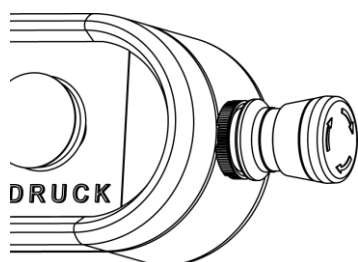
Unauthorised conversions or modifications to the machine can lead to severe or even fatal injuries. This particularly applies to bridging, modifying and adjusting safety equipment.

- ▶ Never bridge or bypass existing safety equipment.
- ▶ Do not make any modifications or conversions to the machine that are not described in this manual.

Unauthorised conversions or modifications to the machine will invalidate the warranty.

2.4 Safety equipment






The machine is equipped with the following safety equipment:



- Emergency stop button on the control bulb
The machine is immediately de-energised and depressurised when the emergency stop button is pressed. The cylinders remain in their current position.

2.5 Warning and information signs on the machine

The following warning and information signs are attached to the front of the electrical control box:

| Sign | Explanation |
|-------------------------------------------------------------------------------------|----------------------------------------|
|  | Follow the manual |
|  | Warning – possibility of hand injuries |
|  | Wear safety goggles |
|  | Wear hearing protection |
|  | Wear safety gloves |

2.6 Structure of the warnings

Layout of the warnings

The warnings are laid out as follows:

SIGNAL WORD



Nature and source of the hazard

Potential consequences if the warning is not observed

► Action necessary to prevent the hazard

Types of warnings

DANGER



Notes with the word DANGER warn of a dangerous situation that will result in death or severe injuries.

WARNING



Notes with the word WARNING warn of a dangerous situation that may potentially result in death or severe injuries.

CAUTION



Notes with the word CAUTION warn of a situation that may result in minor or moderate injuries.

ATTENTION

Notes with the word *ATTENTION* warn of a situation that results in material damage and restricted functionality.

2.7 Basic safety notes

Avoiding severe and fatal injuries

DANGER



Danger of death and risk of injury due to suspended loads!

Loads can swing out and fall down during lifting operations. There is a danger of death and risk of injury!

- Cranes or hydraulic excavators in hoist mode preferably are to be used for transport; when transporting with forklift trucks, be sure to bear in mind that the ground in the construction site area is often uneven. This can cause the load to slip or fall – additional securing measures may be necessary when transporting with forklift trucks.
- Hydraulic excavators in hoist mode must be equipped with overload warning equipment and line break protection; the overload warning equipment must be switched on in hoist mode.
- Lifting gear, load handling attachments and slings must be selected according to the load; the dynamic loads must also be taken into account in addition to the static loads.
- All the lifting gear, load stops and load handling attachments must be approved and tested.
- The slings may only be attached to the intended slinging points.
- Transport should be carried out as close to the ground as possible.
- Never carry the load over people.
- Slung loads must be guided with guide ropes / guide rods; always walk behind the load and do not walk backwards.
- People accompanying the load and slingers must always be within the machine operator's field of vision outside the travel path or danger zone.
- People accompanying the load and slingers must take up a safe standing position; never stand between a suspended load and a fixed abutment.
- When lifting, guiding and setting down the load, always ensure that fingers are free; never guide loads by the sling.
- Observe and comply with the applicable national regulations and codes.

⚠ WARNING**The following hazards may cause death or severe injuries:**

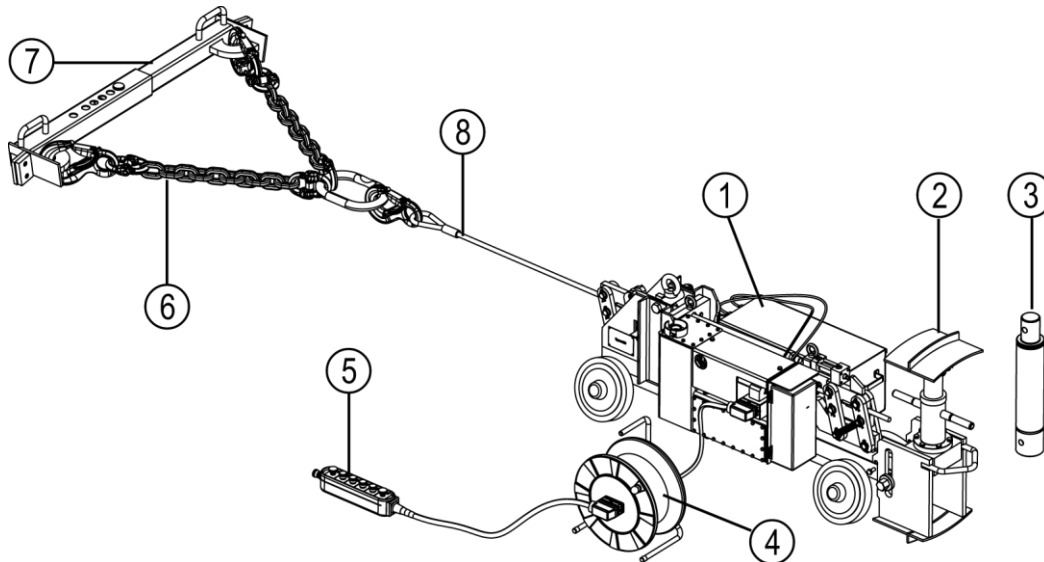
- Improper handling of the machine.
- Fire due to overload or damage to electrical equipment.
- Electric shock caused by contact with live parts.
- Injury in the event of a malfunction caused by electromagnetic radiation.
- Hearing damage caused by high levels of noise pollution.
- Danger of falling due to a steep, unsecured descent.
- Risk of crushing and impact due to suspended loads.
- Injury caused by the steel pulling rope being torn off and flapping.
- Damage to the skin or eyes due to hydraulic oil spraying out of leaking connections, hoses or cylinders.
- Delayed shutdown in an emergency situation, if the operator of the control bulb does not recognise the dangerous situation in the pit bed.

Avoiding moderate and minor injuries**⚠ CAUTION****The following hazards may cause moderate or minor injuries:**

- Crushing when engaging the clamping tongs during actuation.
- Crushing of fingers or hands during the clamping process.
- Injury due to handling the tie beam, steel pulling rope and load hook.
- Back problems caused by lifting adapter pipes weighing up to 25 kg.
- Skin irritation due to leaking hydraulic oil.
- Slipping on rough or wet ground.
- Hunched posture when working in a confined environment.
- Bumping during activities in a confined environment.
- Cuts on sharp wire ends.

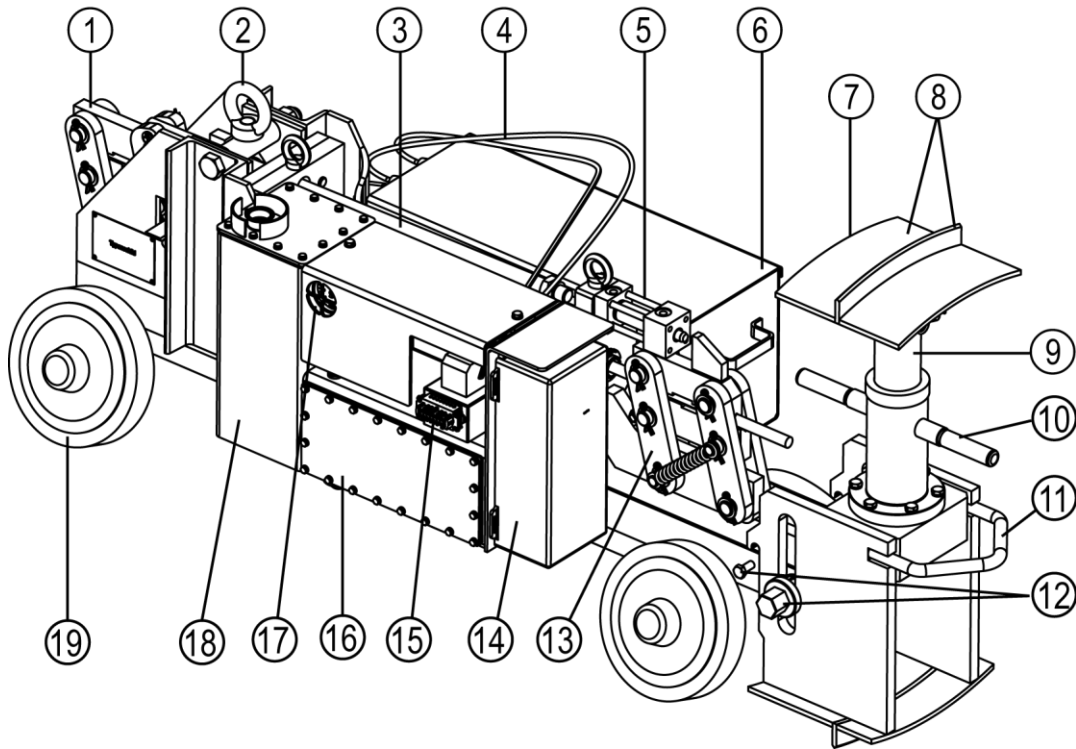
3 Description

3.1 Overview of the machine components



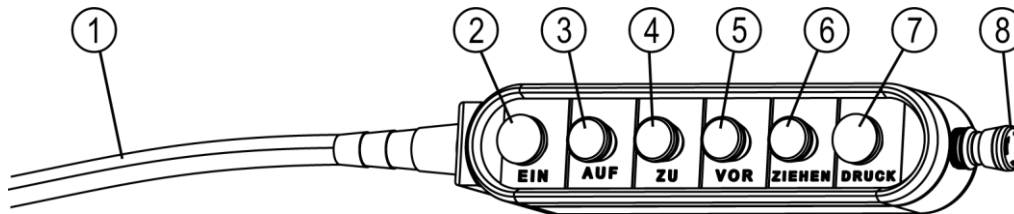
1. Pipe trolley (see the section that follows)
2. Sleeve tensioner (part of the pipe trolley)
3. Adapter pipe for sleeve tensioner
4. Cable reel
5. Control bulb
6. Two-leg sling chain
7. Tie beam
8. Steel pulling rope

3.2 Layout of the pipe trolley



1. Front clamping tongs
2. Transport lug for carrying the pipe trolley
3. Hydraulic pulling cylinder
4. Red and black power supply cable
5. Hydraulic opening cylinder
6. Battery box
7. Sleeve tensioner
8. Sleeve tensioner's support and stop
9. Sleeve tensioner's lathe spindle
10. Lathe spindle's hand toggle
11. Transport bracket for carrying the pipe trolley
12. Sleeve tensioner's tilting equipment (bolt and fixing screw)
13. Rear clamping tongs
14. Electrical control box
15. Connection for control cable
16. Hydraulic unit with pump
17. Pressure gauge for pressure
18. Oil reservoir
19. Chassis with inclined hard rubber wheels

3.3 Overview of the control bulb



- | | |
|-------------------------------------|----------------------------------------------------------------------------------------------------------------------------------------------------------------------------------------------------------------------------------------------------------------------------------------|
| 1. Control cable | |
| 2. White 'ON' indicator light | Lights up when approx. 120 mm of stroke is still available during the pulling process. |
| 3. White 'OPEN' pushbutton | Move the opening cylinder apart, thereby opening the rear clamping tongs. |
| 4. Black 'CLOSE' pushbutton | Close the rear clamping tongs. |
| 5. White 'FRONT' pushbutton | Move the pulling cylinder apart to the end position, thereby opening the front clamping tongs. |
| 6. Black 'PULL' pushbutton | Move the pulling cylinder together to the end position, thereby closing the front clamping tongs and pulling the pipe segment. |
| 7. Yellow 'PRESSURE' indicator lamp | Lights up <ul style="list-style-type: none"> • when the pulling cylinder is fully extended, • when the rear clamping tongs are fully open • when the rear clamping tongs are fully closed • when the working pressure of 160 bar is reached. |
| 8. Emergency stop button | The machine stops (it is de-energised and depressurised) when this is pressed. Normal starting is possible when it is unlocked. |

3.4 Functional description

The SZ10 pipe puller is used to pull together pipe segments in civil engineering. The pipe trolley is inserted into an already laid pipe segment and clamped there for this purpose. A steel pulling rope with tie beam is laid through the pipe segment to be pulled. The tie beam is attached to the end of the pipe segment to be pulled.

An operator gives the tightening command by pressing a button on the control bulb. The pulling force is provided by an electro-hydraulic pump with a hydraulic pulling cylinder.

3.5 Technical data

| Category | Value | | | | | |
|-----------------------------------------|----------------------|------|------|------|------|------|
| Width | 2000 mm | | | | | |
| Depth | 500 mm | | | | | |
| Height | 800 mm | | | | | |
| Weight | 460 kg | | | | | |
| Model | Splashproof | | | | | |
| Suitable for pipe diameter | 800 – 2400 mm | | | | | |
| Max. pipe diameter without adapter pipe | 800 mm | | | | | |
| Pulling force (max.) | 100 kN (max. 107 kN) | | | | | |
| Pulling length | Not restricted | | | | | |
| Working path (stroke) | 500 mm | | | | | |
| Length of pulling rope | 50 m | | | | | |
| Pulling rope extension | 20 m | | | | | |
| Pulling rope diameter | 18 mm | | | | | |
| Tie beam lengths [mm] | 800 | 1000 | 1300 | 1800 | | |
| Tie beam weights [kg] | 20 | 32 | 40 | 42 | | |
| Adapter pipe lengths [mm] | 100 | 200 | 300 | 500 | 1000 | 1500 |
| Adapter pipe weights [kg] | 5.5 | 10 | 13.8 | 17.7 | 28 | 37.5 |
| Electric motor | 1.7 kW, 1212 V | | | | | |
| Hydraulic gear pump | 5.8 l/min, 160 bar | | | | | |
| Working pressure | 160 bar | | | | | |
| Hydraulic oil | DEA ECONA E46 | | | | | |
| Oil quantity | 15 l | | | | | |
| Battery | 12 V / 150 Ah | | | | | |

4 Transport and installation

4.1 Safety notes

DANGER



Danger of death due to suspended loads

- ▶ Only allow people with the necessary qualifications to transport suspended loads.
- ▶ Cordon off the transport route and swivel area for the duration of transport.
- ▶ Only use load suspension equipment and slings that is/are suitable for the load and undamaged.
- ▶ Take the position of the load's centre of gravity into account.
- ▶ When lifting and transporting loads, ensure that nobody is under the suspended load and in the transport vehicle's swivel range.

DANGER



Danger to death due to the use of incorrect transport lugs!

The machine may crash.

- ▶ Only use the red lug and the red bracket to transport the machine.

WARNING



Risk of crushing and impact due to suspended loads.

The suspended machine moves freely during loading.

- ▶ Always keep an eye on the machine during loading.

CAUTION



Danger due to the load slipping.

The machine must be transported to the place of use in a vehicle. Risk of injury and machine damage.

- ▶ Secure the machine for transport in the vehicle so that it cannot slip.

ATTENTION

Damage caused by bumping the machine.

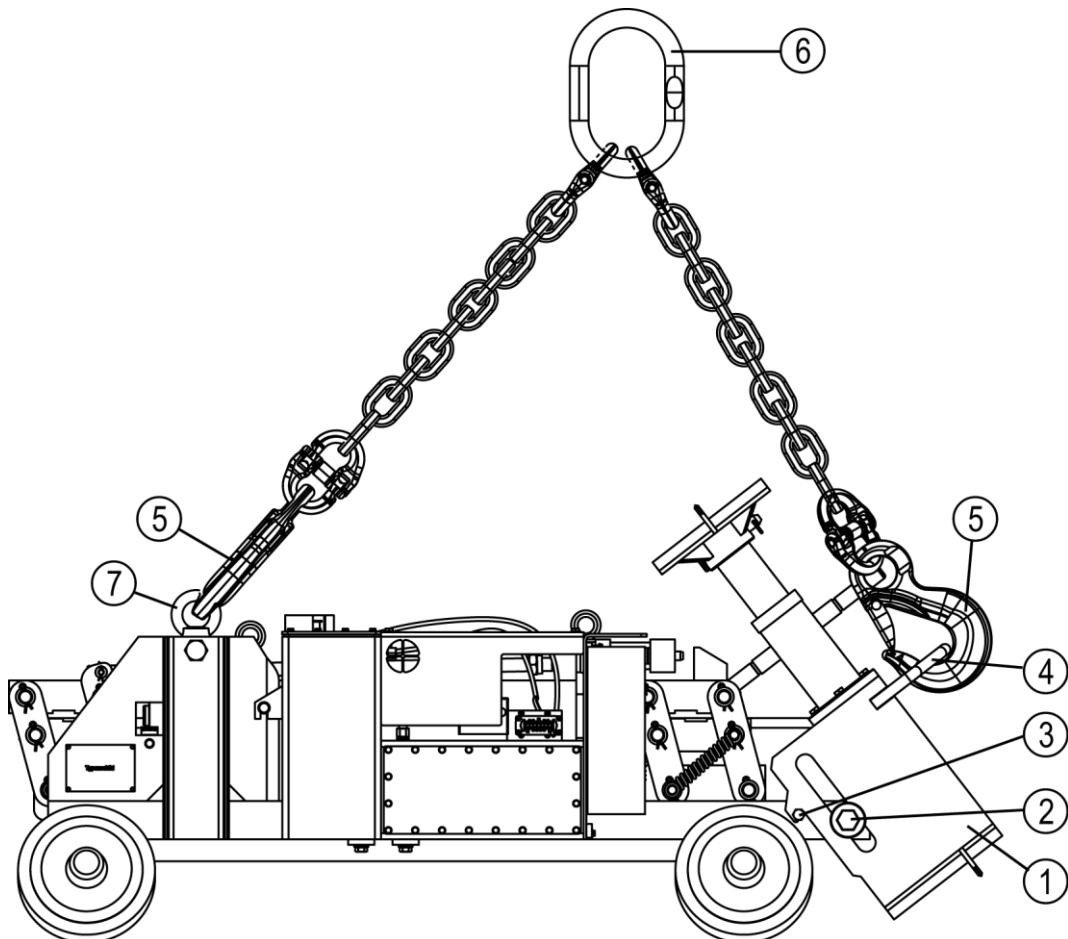
- ▶ When transporting, ensure that the machine does not hit other objects.
- ▶ If the machine hits another object:
 - Inform the superior;
 - Do not operate the machine.

4.2 Transporting the machine

The machine may only be transported with the sleeve tensioner tilted down.

For the machine to be set down in the pit bed, a first pipe segment must have already been laid.

The machine's transport position



- | | |
|-----------------------------------------|----------------------|
| 1. Sleeve tensioner, tilted | 5. Load hook |
| 2. Fixing screw in slot (on both sides) | 6. Top lug |
| 3. Bolts (on both sides) | 7. Red transport lug |
| 4. Red transport bracket | |

Proceed as follows to transport the machine:

1. Tilting the sleeve tensioner

- ▶ Grasp the sleeve tensioner with both hands from behind at the transport bracket (4) and carefully tilt it forwards onto the pipe trolley.
 - ◆ The nose engages behind the two bolts (3).

2. Slinging a two-leg sling chain

- ▶ Hook one hook (5) of the two-leg sling chain into the red transport lug (ring nut) (7) on the carriage.
- ▶ Hook the other hook (5) of the two-leg sling chain into the transport bracket (4) of the socket tensioner.

3. Transporting and setting down the machine

- ▶ Attach the transport vehicle's carrying hook to the upper lug (6) of the two-leg sling chain.
- ▶ Slowly lift the machine, bring it to the place of use and set it down.

4. Setting the machine down in the pit bed

- ▶ Lift the machine and turn it in the working direction.
- ▶ Set the machine down directly in front of or behind the laid pipe segment.

5. Removing the two-leg sling chain

- ▶ Remove the two-leg sling chain.
- ▶ Do not set the sleeve tensioner back to vertical yet.

5 Commissioning

This section describes the daily or repeated commissioning operations.

The daily commissioning operations include the following activities:

- Connecting cables
- Installing the machine in the pipe
- Inserting an adapter pipe (if necessary)
- Fixing the sleeve tensioner in the pipe
- Checks before operation

i The checks can be omitted when commissioning for the first time, since the machine is brought to the place of use in a ready-to-operate condition for first operation.

The control bulb is needed to check the machine functions. The control cable must be connected to the machine.

5.1 Safety notes

DANGER



Danger of death if the machine is operated with damaged components.

Safe operation is no longer guaranteed if components are damaged.

- ▶ Only operate the machine when it is in a perfect condition.

DANGER



Risk of fatal injuries if work is carried out improperly.

- ▶ Only allow people with the necessary qualifications to carry out work.
- ▶ Observe all the operational safety and accident prevention regulations and rules applicable at the workplace.

WARNING



Risk of injury if safety equipment is missing or defective.

- ▶ Never override safety equipment.
- ▶ Before each commissioning process, ensure that all the existing safety equipment is installed and in working order.

⚠ WARNING**High physical strain when inserting an adapter pipe.**

The adapter pipes weigh between 5.5 and 37.5 kg.

Lifting and handling can cause back problems, among other things.

- ▶ Components that weigh more than 25 kg may only be lifted and used with lifting gear or with two people.
- ▶ Always maintain good posture and keep your back as straight as possible when lifting heavy components.

⚠ CAUTION**Risk of crushing when clamping the sleeve tensioner.**

Fingers can be crushed when the sleeve tensioner is clamped.

- ▶ Always grip both hand toggles when clamping the sleeve tensioner.

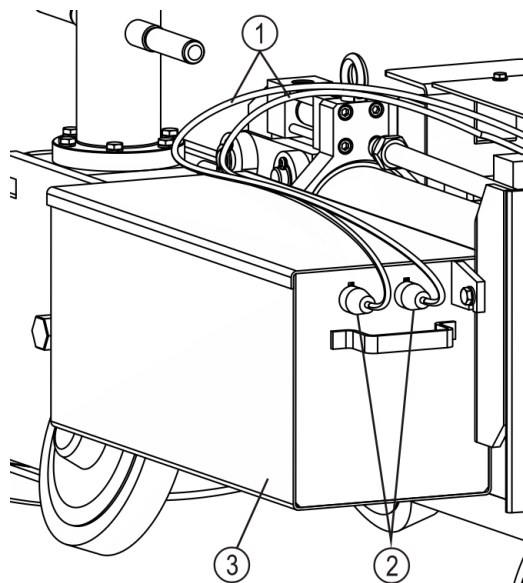
⚠ CAUTION**Risk of injury due to potentially leaking hydraulic oil.**

Contact with hydraulic oil may cause skin irritation.

- ▶ If oil is leaking, do not operate the machine.

5.2 Connecting cables

Power supply cable



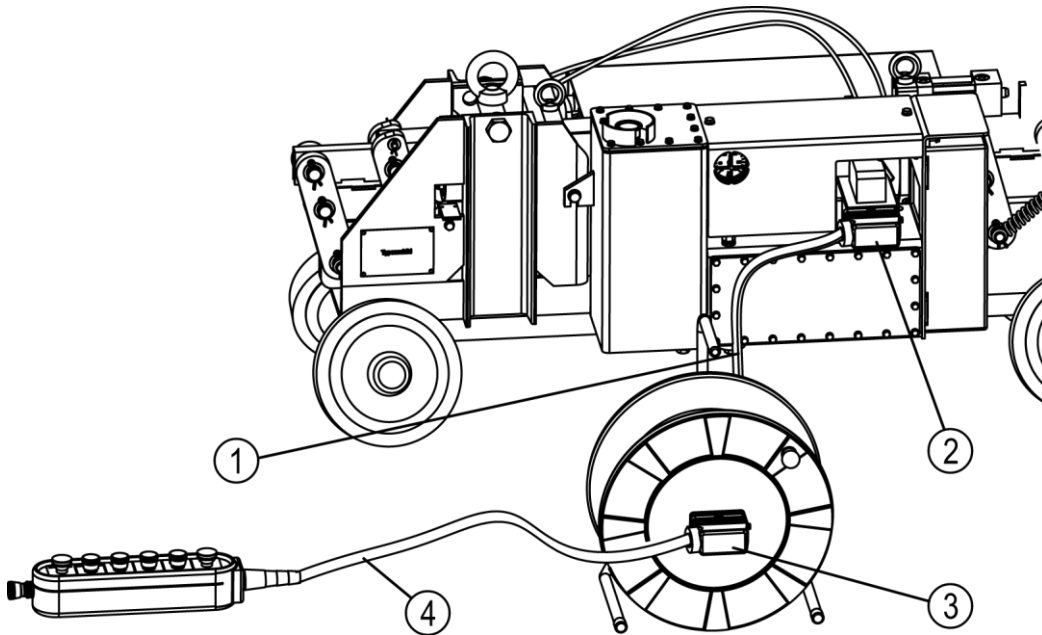
The machine has a red and a black power supply cable (1). The cables' plugs are different and thus protected against polarity reversal.

- ▶ Connect the plugs (2) to the matching sockets on the battery box (3):
 - The black cable on the left;
 - The red cable on the right.

Control cable with cable reel

The control cable is the cable on the control bulb. It can be connected directly to the machine for test purposes, provided that it is ensured that no pulling operation can be triggered.

When operating the machine at the construction site, it is mandatory to use the supplied cable reel to extend the control cable.



- ▶ Unwind the cable (1) from the cable reel completely.
- ▶ Connect the plug (2) of the cable reel cable to the socket of the control unit.
- ▶ Secure the plug with the locking clip.
- ▶ Connect the plug (3) of the control cable (4) to the socket of the cable reel.
- ▶ Secure the plug with the locking clip.

5.3 Installing the machine in the pipe

- ▶ Have two people push the machine to the start of the first laid pipe segment.
 - ◆ The machine is exactly horizontal.
 - ◆ The sleeve tensioner is at the level of the pipe sleeve.

Setting the sleeve tensioner upright

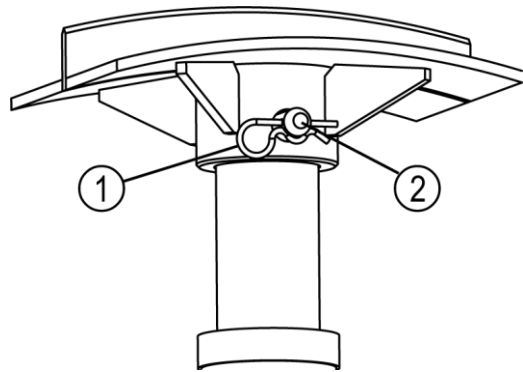
Set the sleeve tensioner in a vertical position as follows:

- ▶ Grasp the tilted sleeve tensioner from behind with both hands at the transport bracket.
- ▶ Carefully pull it up and towards you a little.
 - ◆ The sleeve tensioner is released from the engagement on the bolts.
 - ◆ The sleeve tensioner lowers to the basic position in the vertical position.

5.4 Inserting an adapter pipe

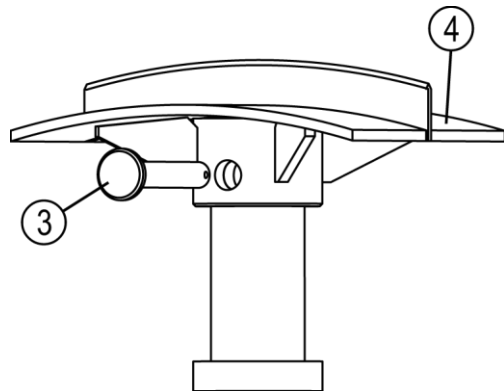
The height of the sleeve tensioner is sufficient for a pipe diameter of up to 800 mm. One or more of the supplied adapter pipes must be used for larger pipe diameters. The number of adapter pipes should be selected depending on the pipe diameter to be pulled.

Proceed as follows to insert an adapter pipe:

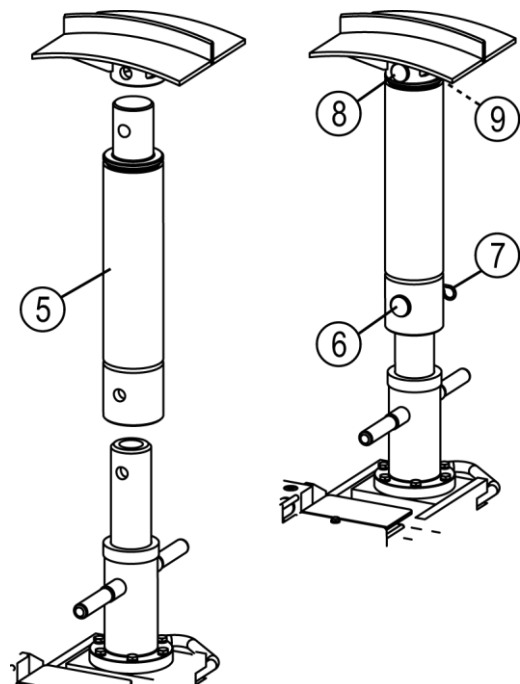


The sleeve tensioner's support is secured with pins and spring cotters.

- ▶ Pull the spring cotter (1) out of the end of the pin (2).



- ▶ Pull out the pin (3).
- ▶ Pull the support (4) upwards.

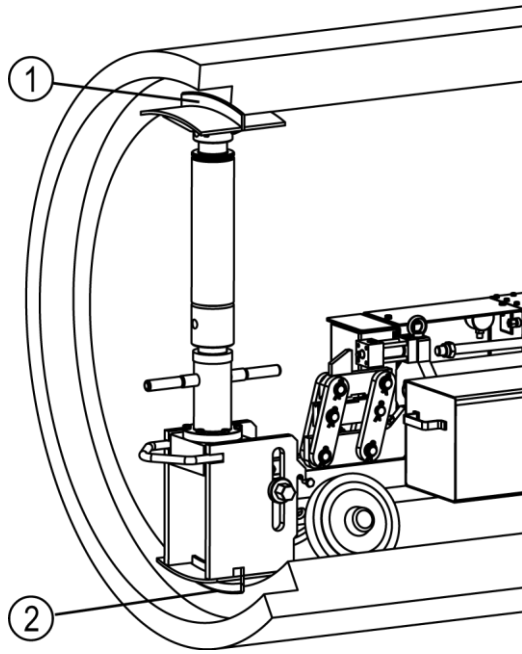


- ▶ Put on the adapter pipe (5).
- ▶ Insert the existing pin (6) into the bottom opening.
- ▶ Secure at the end of the pin with the existing spring cotter (7).
- ▶ Insert the pin supplied with the adapter pipe (8) into the top opening.
- ▶ Secure at the end of the pin with the supplied spring cotter (9, not shown).

5.5 Fixing the sleeve tensioner in the pipe

The machine is fixed in the laid pipe by two factors:

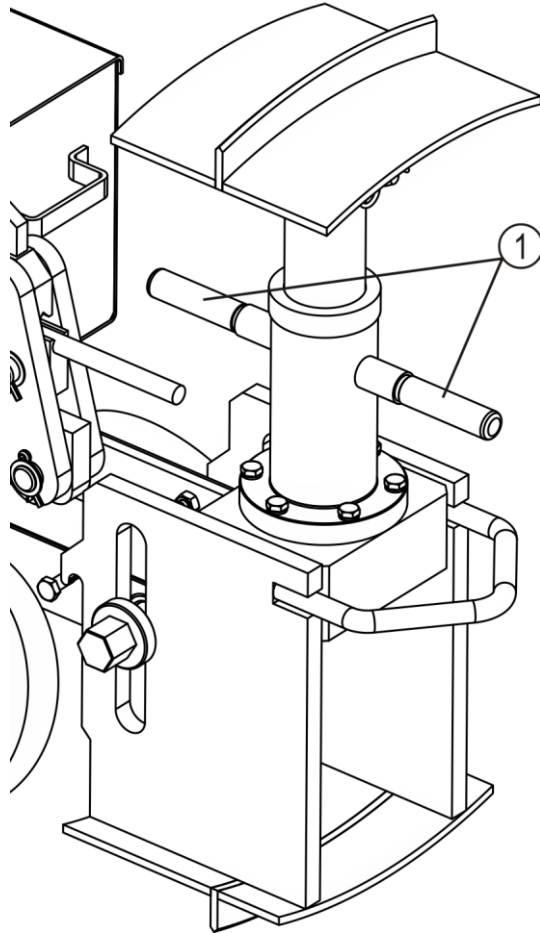
- by the stops of the supports in the pipe sleeve;
- by the pressure of the sleeve tensioner in the pipe.



The machine must be fixed in the pipe so that the supports' top (1) and bottom (2) stops are exactly at the pipe sleeve.

Proceed as follows to fix the machine:

- ▶ Remove coarse dirt from the inside of the pipe.
- ▶ Set the machine so that the bottom stop engages behind the collar of the pipe sleeve.

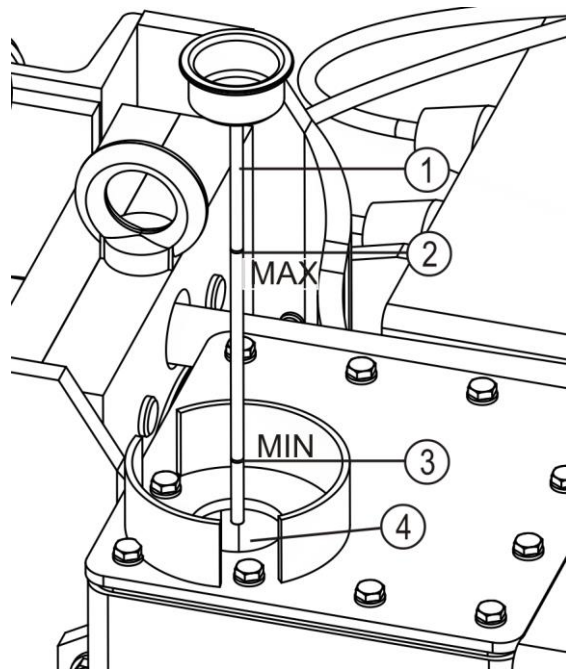


- ▶ Grasp both hand toggles (1) at the sleeve tensioner and turn clockwise.
 - ♦ The top support moves upwards.
 - ▶ Continue turning until the top stop engages behind the collar of the pipe sleeve and the support is firmly against the pipe.
-
- ▶ Correct the machine's position if the stop comes out too far outside the pipe or inside the pipe.
 - ▶ Tighten the sleeve tensioner firmly with the hand toggles when the stop position is correct.

5.6 Checks before operation

Prerequisite: The steel pulling rope is not clamped yet.

Checking the oil level



- ▶ Pull out the dipstick (1).
- ▶ Read the oil level: It must be between the two marks – MIN (3) and MAX (2).
- ▶ Check the oil quality (see the section that follows).
- ▶ Clean the dipstick with a soft cloth.
- ▶ If the oil level is too low, top the oil up by pouring the following type through the opening (4):
DEA ECONA E46.

Checking the oil quality

How the hydraulic oil ages depends on the operating conditions. The degree of ageing and usability are assessed by a simple visual inspection.

| Appearance of the oil | Cause |
|-----------------------------------|-------------------------------------------------------------------------|
| Dark colouring | Overheating, missed oil change, potentially ingress of third-party oil. |
| Milky turbidity | Ingress of water or air. |
| Air bubbles | Ingress of air, e.g. due to a lack of oil or a leaking suction line |
| Suspended or deposited impurities | Wear, dirt, ageing products |
| Smell of burnt oil | Overheating |

- ▶ Discontinue use of the machine if the oil has any of these appearances.
- ▶ Have the oil changed (see section 7.6).

Checking the lubrication

The following bearing positions must be checked to ensure they are sufficiently lubricated:

- Spindle of the sleeve tensioner
- Battery terminals.

If grease is missing, the component in question must be lubricated (see section 7.5).

Checking the battery charge

The battery charge level is displayed on the charger supplied.

- ▶ Check the battery charge.
- ▶ Connect the charger to the battery if the battery is not fully charged.
- ▶ Wait for the battery to charge.



The battery takes approximately 12 hours to fully charge.
Refer to the operating manual supplied with the charger for more information.

Checking hydraulic functions with the control bulb

The operator stands next to the machine with the control bulb so that they can see the pressure gauge, but does not stand within the movement radius of the clamping tongs.

Perform the following functions and check the effect:

| Function | Effect |
|--------------------------|---------------------------------------------------------------------------------------------------------------------------------------------------------------------------------------------------------------------------------------------------------------------------------------------------------------------------------------------------------------------------------------------------------------------------------------------|
| Press the 'UP' button | The rear clamping tongs open. The 'PRESSURE' indicator lamp lights up yellow when the end position is reached. |
| Press the 'CLOSE' button | The rear clamping tongs close. The 'PRESSURE' indicator lamp lights up yellow when the end position is reached. |
| Press the 'FRONT' button | The pulling cylinder extends. The front clamping tongs open and the 'PRESSURE' indicator lamp lights up yellow when the end position is reached. |
| Press the 'PULL' button | The pulling cylinder closes; the pressure on the pressure gauge rises. The 'PRESSURE' indicator lamp lights up yellow when the end position is reached or when the working pressure of 160 bar is reached. The white 'ON' indicator light lights up shortly before the end of the pulling process, when approx. 120 mm of stroke is still available. This message is triggered by a sensor that scans the cylinder's travel path. |

- ▶ Do not operate the machine if one of the functions does not have the described effect, or if an indicator light does not light up as described.
- ▶ Arrange for repair.

6 Operation

Operation includes the following activities:

- Placing the tie beam with the steel pulling rope on the pipe to be pulled
- Securing the steel pulling rope in the machine
- Pulling the pipe segment.

The control bulb is needed to fix the steel pulling rope in the machine. The control cable must be connected to the machine.

6.1 Safety notes

DANGER



Danger of death if the machine is operated with damaged components.

Safe operation is no longer guaranteed if components are damaged.

- ▶ Only operate the machine when it is in a perfect condition.

DANGER



Risk of fatal injuries if work is carried out improperly.

- ▶ Only allow people with the necessary qualifications to carry out work.
- ▶ Observe all the operational safety and accident prevention regulations and rules applicable at the workplace.

WARNING



Risk of severe injuries when operating the machine at close range.

A moving pipe segment, the tensioned pulling rope and the machine with the open clamping tongs can cause severe injuries. It is therefore prohibited to operate the machine at close range and inside the pipe.

- ▶ Unwind the cable from the cable reel completely.
- ▶ Operate the machine with the control bulb outside the range of movement of the pulling rope and pipe.

WARNING



High physical strain and risk of crushing when inserting the tie beam.

The tie beam weighs between 20 and 42 kg.

Lifting and handling can cause back problems, among other things. Hands and fingers can be crushed.

- ▶ Components that weigh more than 25 kg may only be lifted and used with lifting gear or with two people.
- ▶ Always maintain good posture and keep your back as straight as possible when lifting heavy components.

⚠ WARNING**Electric shock caused by contact with live parts.**

There are live parts in the electrical control box and the battery box.

- ▶ Before switching on, ensure that the covers of the control box and battery box are firmly installed.
- ▶ Ensure that both of the power supply cables' plugs are plugged into the battery box.

⚠ WARNING**Risk of hearing loss.**

The noise of the hydraulic unit may cause a strong resonance depending on the ambient conditions.

- ▶ Wear hearing protection.
- ▶ Stay as far away from the source of the noise as possible for work.

⚠ WARNING**Risk of crushing when intervening in the clamping tongs.**

The clamping tongs are open. Hands and fingers can be crushed when inserting the steel pulling rope and during the pulling process.

- ▶ Ensure that nobody can trigger the pulling process by monitoring the control bulb when inserting the steel pulling rope.
- ▶ Always perform the pulling process from a distance with the control cable completely unwound.

⚠ WARNING**Danger due to a torn and flapping steel pulling rope.**

The steel pulling rope can break if it is damaged or if the pulled pipe is jammed. A flapping steel pulling rope can cause severe injuries.

- ▶ Do not use a damaged steel pulling rope.
- ▶ Do not continue pulling if the pulling process is blocked; loosen the tension instead. Do not approach the machine until the steel pulling rope has been loosened.

⚠ WARNING**Danger due to hydraulic oil spraying out of leaking components.**

Hydraulic oil can spray out and cause skin and eye damage if connections, hoses, or cylinders are damaged.

- ▶ Put on safety goggles and safety gloves and immediately shut down or do not operate the machine if oil is leaking from any part of the machine.
- ▶ Arrange for repair.

⚠ CAUTION**Risk of slipping due to rough or wet ground.**

The ground in the pit bed may cause a tripping or falling hazard.

- ▶ Ensure that the steel pulling rope and tie beam are positioned securely when inserting them.

⚠ CAUTION**Risk of physical strain and impact due to the confined environment.**

Working in a pipe segment may necessitate a hunched posture and cause musculoskeletal discomfort. There is also a risk of impact.

- ▶ Do not work in the pipe segment that you cannot adopt an upright position in for longer than absolutely necessary.
- ▶ Take regular breaks and balance your posture.
- ▶ Always move slowly and carefully in the pipe.

⚠ CAUTION**Risk of cuts due to loosened strands on the steel pulling rope.**

Strands on the steel pulling rope may come loose after prolonged use.

- ▶ Always wear safety gloves when handling the steel pulling rope.
- ▶ Cut off visible strands.

⚠ CAUTION**Risk of injury when inserting the load hook.**

For the pulling arrangement, the steel pulling rope's load hook must be inserted into the lug of the two-leg sling chain. There is a risk of crushing.

- ▶ Wear safety gloves when inserting the load hook.

⚠ CAUTION**Risk of injury due to potentially leaking hydraulic oil.**

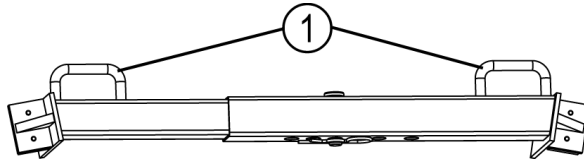
Contact with hydraulic oil may cause skin irritation.

- ▶ If oil is leaking, do not operate the machine.

6.2 Preparing the tie beam

The tie beams weigh between 20 and 42 kg.

- ▶ Always move and carry tie beams weighing more than 25 kg with at least two people or suitable lifting gear.

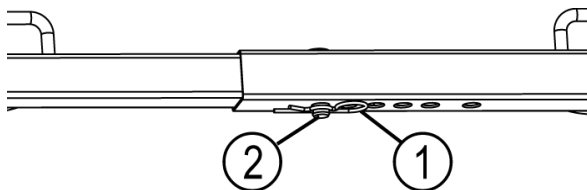


- ▶ Always grasp the tie beam by the handles (1) when carrying by hand.

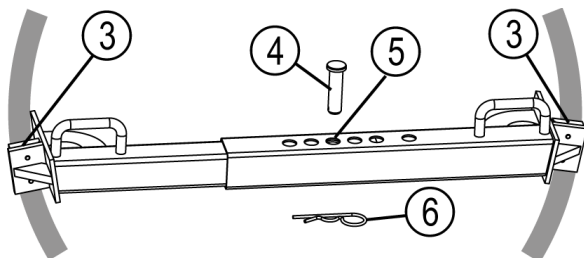
Setting the width

The tie beams are telescopic, i.e. their width can be adjusted. There is a scale with millimetre indications at the pin opening.

- ▶ Place the tie beam behind the pipe segment to be pulled.
- ▶ Lift the tie beam in pairs or with lifting gear to the height that the tie beam is to pull the pipe segment at. The tie beam should rest in the bottom half of the pipe.

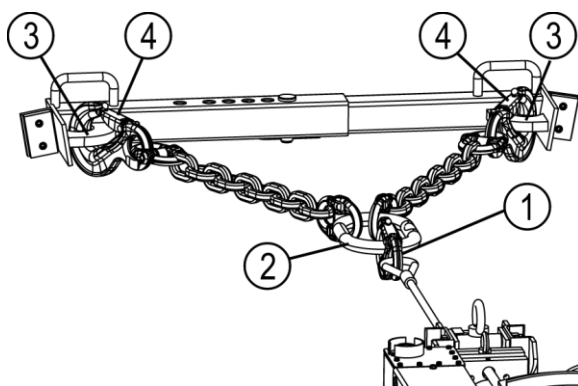


- ▶ Pull the spring cotter (1) out of the end of the pin (2) and pull out the pin.



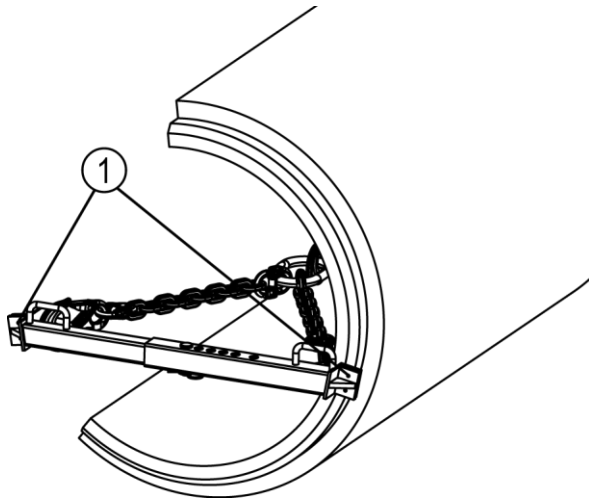
- ▶ Pull the tie beams apart or push them together so that the aluminium jaws (3) are exactly in contact with the pipe sleeve.
- ▶ Push the pin (4) into the suitable opening (5) and fix it with the spring cotter (6).

Connecting tie beams with the two-leg sling chain



- ▶ Connect the load hook (1) of the steel pulling rope to the lug (2) of the two-leg sling chain.
- ▶ Connect the two hooks (4) of the two-leg sling chain to the lugs (3) on the tie beam.

Overview of correctly positioned tie beams



The tie beam is correctly inserted as follows:

- It is horizontal.
- It is at most up to the central height of the pipe segment or below.
- The aluminium jaws (1) are in contact with the pipe sleeve.
- The chain is equally long on both sides (thus forming an isosceles triangle with the tie beam).

6.3 Installing the steel pulling rope and pulling a pipe segment

Opening the clamping tongs

- ▶ Move far enough away from the machine with the control bulb so that you are not in the machine's range of movement.
- ▶ Press the 'OPEN' pushbutton to open the rear clamping tongs.
 - ✦ The opening cylinder extends and opens the rear clamping tongs.
- ▶ Press the 'FRONT' pushbutton to open the front clamping tongs.
 - ✦ The pulling cylinder extends and opens the front clamping tongs.
- ▶ Set down the control bulb and ensure that nobody is operating the control bulb buttons.

⚠ WARNING



Risk of crushing when intervening in the clamping tongs.

The clamping tongs are open. Hands and fingers can be crushed when inserting the steel pulling rope.

- ▶ Ensure that nobody presses the control bulb buttons and thus moves the clamping tongs or triggers a pulling process when inserting the steel pulling rope.

⚠ CAUTION

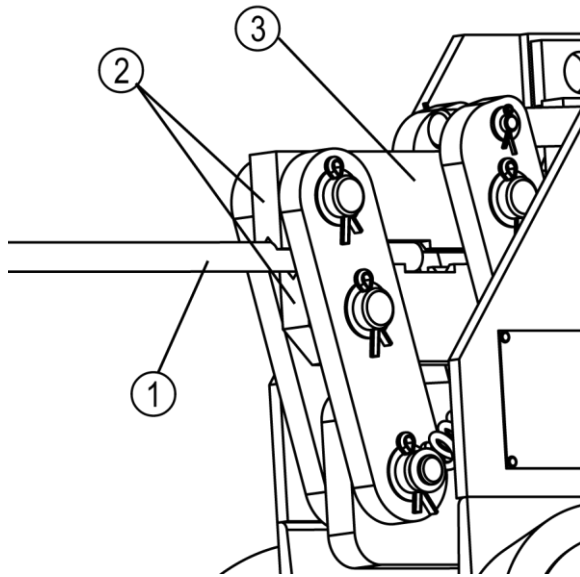


Risk of overheating.

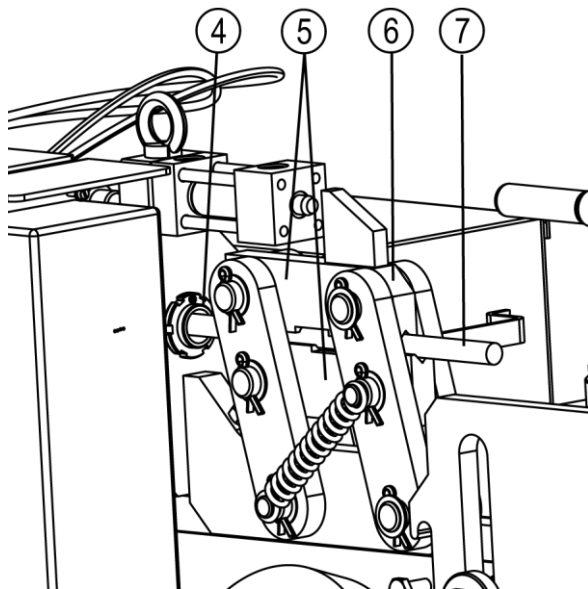
The hydraulic oil heats up too much if the machine pulls against too strong a resistance. There is a distinct odour.

- ▶ Disconnect the control cable from the machine to switch off the machine.

Guiding the steel pulling rope through the machine



- ▶ Push the tapered end (1) of the steel pulling rope through the opened clamping jaws (2) of the front clamping tongs (3).



- ▶ Continue pushing through the cylinder until the end of the steel pulling rope (7) comes out of the cylinder (4).
- ▶ Push the steel pulling rope further through the open clamping jaws (5) of the rear clamping tongs (6).

Fixing the steel pulling rope and pulling the pipe segment

WARNING



Risk of crushing when pulling the pipe segment.

The 'PULL' command closes the clamping tongs. Then the pipe is pulled. There is a risk of injury.

- ▶ Always give the 'PULL' command outside the danger zone with the control cable fully unwound.

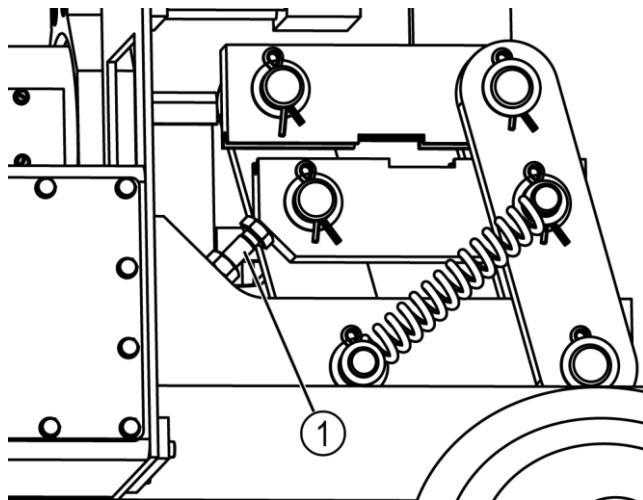
Proceed as follows to secure the steel pulling rope in the machine:

- ▶ Move far enough away from the machine with the control bulb so that you are not in the machine's range of movement.
- ▶ Press the 'CLOSE' pushbutton to close the rear clamping tongs.
 - ♦ The opening cylinder retracts and closes the rear clamping tongs. The rope is now clamped in the machine.
- ▶ Press the 'PULL' pushbutton to tighten the steel pulling rope and thereby pull the pipe segment.
 - ♦ The pulling cylinder retracts, closes the front clamping tongs and pulls the pipe segment by 500 mm.
 - ♦ Interrupt the pulling process after approx. 50 mm. The pulling rope is now slightly compressed between the front and rear clamping tongs and is no longer under tension. This relieves the pressure on the rear clamping tongs.
- ▶ Press the 'OPEN' button.
 - ♦ The rear clamping tongs open. The pulling rope can now be freely guided out of the machine to the rear. The rope is not compressed.
- ▶ After opening the rear clamping tongs, continue the pulling process by pressing the 'PULL' pushbutton.

After the first pull

- ▶ Retighten the sleeve tensioner after the first pull (see section 5.5).
- ▶ Regrip the steel pulling rope if the stroke distance of 500 mm is insufficient (see page 32).

Retightening the setscrew



- ▶ After the first pull, check the setscrew (1) on the rear clamp and retighten if necessary.

Regripping the steel pulling rope

Perform the following steps to retighten the steel pulling rope:

- ▶ Press the 'CLOSE' button.
 - ♦ The rear clamping tongs close.
- ▶ Press the 'FRONT' button.
 - ♦ The pulling cylinder extends and the front clamping tongs open.
- ▶ Press the 'PULL' button.
 - ♦ Pull for approx. 50 mm. Then interrupt the process. The pressure on the rear clamping tongs is relieved.
- ▶ Press the 'OPEN' button.
 - ♦ The rear clamping tongs open.
- ▶ After opening the rear clamping tongs, continue the pulling process by pressing the 'PULL' pushbutton.

Repeat these steps as necessary.

Using the battery economically

i The battery charge lasts for about 1 hour at full load from the pulling processes.

- ▶ To save the battery charge, switch off the machine after each pulling process by pulling the control cable.

6.4 Decommissioning

Decommissioning at the end of the shift includes the following activities:

- Pressing the 'FRONT' and 'OPEN' buttons to open the front and rear clamping jaws
- Pulling the steel pulling rope out of the machine
- Pulling the control cable
- Removing the tie beam
- Removing the two-leg sling chain
- Lowering the sleeve tensioner.

Protecting the machine from water ingress

The machine must not get wet.

- ▶ Protect the machine in the pit bed against water ingress and flooding.

CAUTION



Water ingress will render the machine inoperable.

The machine is protected against splashwater, so it is not waterproof.

- ▶ Protect against water ingress and flooding.
- ▶ Do not operate a machine that has become wet!
- ▶ Do not attempt to dry a machine that has become wet!
- ▶ Contact the manufacturer if a machine has become wet.

Charging the battery

- ▶ Connect the battery to the charger for the next use.

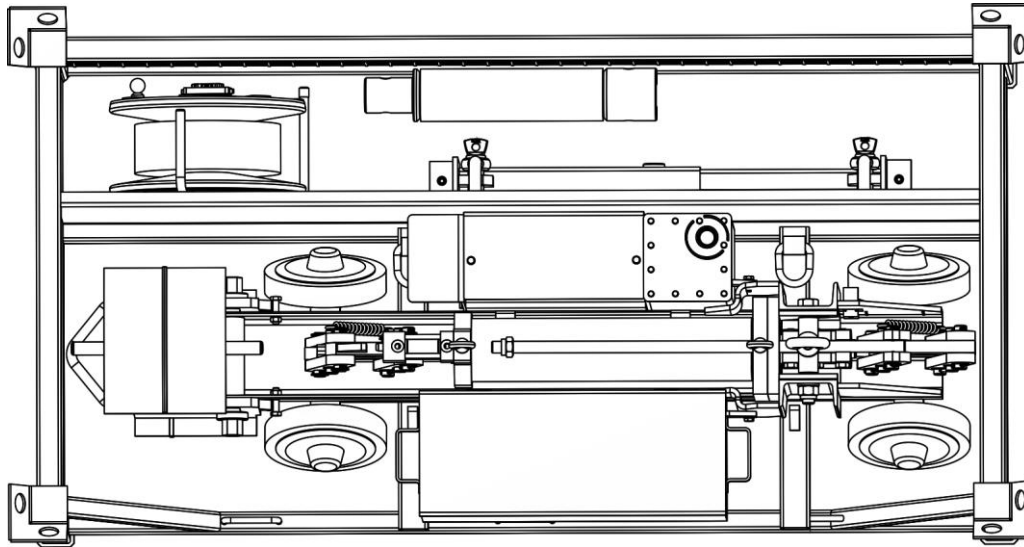
It takes approximately 12 hours to fully charge. The battery is protected against over-charging.

6.5 Storage

Store the machine in the supplied transport box if decommissioning for an extended period of time.

Storage in the supplied transport box

The following figure illustrates how to correctly store the machine and accessories in the transport box:



- ▶ Place the chain and accessories loosely next to the machine in the transport compartment of the transport box.

7 Maintenance and repair

7.1 Safety notes

WARNING



Risk of severe injury if maintenance work is carried out improperly.

- ▶ Perform only the maintenance work described in this manual.
- ▶ Contact the manufacturer or its authorised specialist for all other maintenance.
- ▶ Never work on the electrical, hydraulic and mechanical systems.

WARNING



Electric shock caused by contact with live parts.

There are live parts in the electrical control box and the battery box.

- ▶ During maintenance, ensure that the covers of the control box and battery box are firmly installed.
- ▶ Ensure that both of the power supply cables' plugs are plugged into the battery box.

WARNING



Danger due to hydraulic oil spraying out of leaking components.

Hydraulic oil can spray out and cause skin and eye damage if connections, hoses, or cylinders are damaged.

- ▶ If oil leaks from any part of the machine, inspect only when wearing safety goggles and safety gloves.
- ▶ Arrange for repair.

CAUTION



Risk of injury due to potentially leaking hydraulic oil.

Contact with hydraulic oil may cause skin irritation.

- ▶ Wear safety gloves during maintenance.

CAUTION



Risk of cuts due to loosened strands on the steel pulling rope.

Strands on the steel pulling rope may come loose after prolonged use.

- ▶ Always wear safety gloves when handling the steel pulling rope.
- ▶ Cut off visible strands.
- ▶ Replace the steel pulling rope if damage is too severe.

7.2 Overview of maintenance

| Maintenance work | If re- quired | Interval | | |
|--------------------------------------------------------------------------------------------------------|------------------|--------------------|------------------------|------------------------|
| | | Daily Every 8 h | Monthly Every 160 h | Annual Every 2000 h |
| Charging the battery | x | | | |
| Checking the electrical contacts and cables | x | | | |
| Checking the hydraulic hoses | x | | | |
| Checking the pulling cylinder | x | | | |
| Checking the hydraulic unit | x | | | |
| Checking the clamping tongs along with the clamping jaws and springs | x | | | |
| Checking the steel pulling rope | x | | | |
| Checking the impellers | x | | | |
| Greasing the impeller's axles | x | | | |
| Replacing the handles | x | | | |
| Cleaning the machine | | x | | |
| Checking that the control bulb is working | | x | | |
| Checking the machine functions (retraction and extension of cylinders, opening and closing of clamps). | | x | | |
| Lubricating the spindle of the sleeve tensioner | | | x | |
| Lubricating the axles of the clamping tongs | | | x | |
| Greasing the battery terminals | | | x | |
| Changing the hydraulic oil and suction filter | | | | x |

7.3 Repair work

Maintenance and repair work that may be carried out by the facility operator's qualified personnel is listed below.

WARNING



Risk of severe injury if repair work is carried out improperly.

- ▶ Only professionally qualified, trained technicians with knowledge of the relevant provisions set out by the Civil Engineering Trade Association and in DIN 4124 may carry out repair work on the machine.
- ▶ Contact the manufacturer or its authorised specialists for all other repair work.
- ▶ Never work on the electrical, hydraulic and mechanical systems.

Corrosion protection

If the machine's corrosion protection wears off, renew it with paints or thinners.

CAUTION



Risk of damage to seals and bearings.

- ▶ Do not allow seals and bearings to come into contact with paints and thinners.

Electrical contacts / plug connections

- ▶ Check all electrical plug connections for damage, corrosion and accuracy of fit:
 - Plugs and sockets of the control cable (on the cable reel and machine)
 - Plugs and sockets of the power supply cables.
- ▶ Check electrical supply cables for damage to insulation, kinking and crushing.
- ▶ Replace defective and damaged plugs, sockets and electrical supply cables.

Checking the machine for leaks and checking the hydraulic hoses

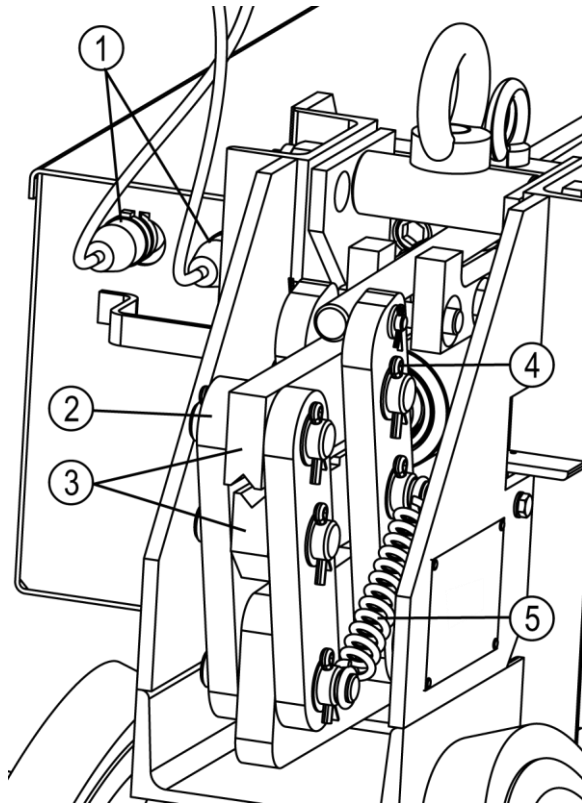
- ▶ Inspect all the machine parts where oil could leak (cylinders, valves, hoses) for leaks and spilled oil.

If too much oil leaks out, the pressure build-up is no longer adequate for a pulling process.

- ▶ In this case, shut down the machine and contact the manufacturer.
- ▶ Also check the hydraulic hoses for damage to the outer sheath, kinking and crushing.
- ▶ Replace damaged hoses.

Clamping jaws and clamping tongs

The steel pulling rope may slip if the clamping jaws are heavily worn. The clamping jaws must be replaced.



- ▶ Check the clamping jaws (3) of the clamping tongs (2) for wear.
- ▶ Check that the springs (5) of the clamping tongs (2) are tight.

To replace the clamping jaws:

- ▶ Pull the plugs (1) of the power supply cables out of the sockets.
- ▶ Remove all retaining pins (4) from the pins.
- ▶ Remove the spring (5).
- ▶ Use a mandrel to drive the axles of the clamping tongs out of the holes.
- ▶ Lubricate the axles with rolling bearing grease.
- ▶ Replace worn clamping jaws with genuine spare parts.

- ▶ If the springs have too much play, replace them with genuine spare parts too.
- ▶ Reassemble in reverse order to dismantling.

The hydraulic unit's housing

- ▶ Check the hydraulic unit's housing for mechanical damage and sealing.
- ▶ Check that the cover's screw connections at the front are complete and secure.
- ▶ Tighten loose screws; replace missing ones.
- ▶ Check that the flat seal of the cover (inside) is secure and undamaged.
- ▶ Replace the flat seal if it is damaged.

Seals

- ▶ Check the seals on the pulling cylinder and the opening cylinder.
- ▶ Replace damaged seal sets.

Steel pulling rope

A damaged steel pulling rope can break.

- ▶ Check the steel pulling rope for wear.
- ▶ Cut off protruding, torn strands.
- ▶ Completely replace the steel pulling rope if it is heavily worn.

The impeller's axles

- ▶ Check the impeller's axles for mechanical damage.
- ▶ Shut down the machine and contact the manufacturer if they are damaged.

Replacing a bulb

Carefully unscrew the indicator lamp's protective cap to replace the bulb in the indicator lamp.

- ▶ Replace the bulb.
- ▶ Screw the protective cap back on.

7.4 Daily maintenance

Cleaning the machine

- ▶ Disconnect the machine from the power supply.
- ▶ Remove coarse dirt from the entire machine.
- ▶ Pay particular attention to the gaps and openings on the clamping tongs and cylinders.

CAUTION



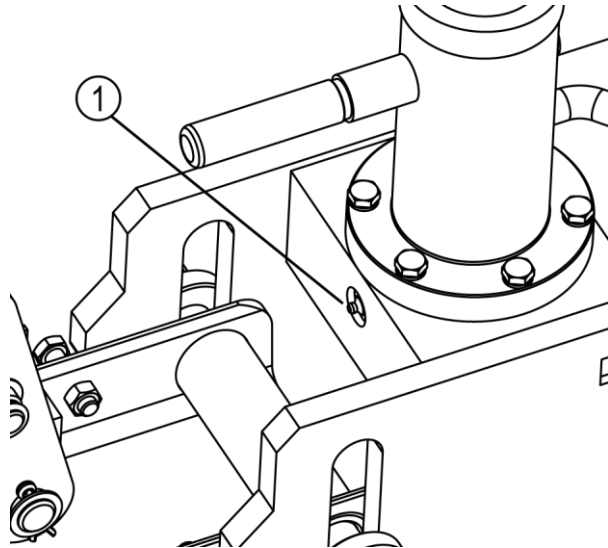
Risk of malfunction due to dirt.

The machine may malfunction if dirt enters the moving parts.

- ▶ Inspect machine carefully for dirt, and remove any dirt.

7.5 Monthly maintenance

Lubricating the spindle of the sleeve tensioner



- ▶ Lubricate the spindle of the sleeve tensioner with graphite grease via the lubricating nipple (1) using a grease gun.
- ▶ Remove excess grease.

Lubricating the clamping tongs

- ▶ Loosen the clamping tongs' axles.
- ▶ Lubricate the axles with rolling bearing grease.
- ▶ Reinstall the axles.

Greasing the battery terminals

- ▶ Coat the battery terminals with terminal grease.

7.6 Annual maintenance

Changing the oil and replacing the suction filter

- ▶ Place the collection container under the oil drain screw.
- ▶ Remove the magnetic oil drain screw.
- ▶ Drain and collect used hydraulic oil.
- ▶ Loosen the screw connections in the oil reservoir cover.
 - ◆ The suction filter at the beginning of the suction pipe is accessible.
- ▶ Replace the suction filter.
- ▶ Insert the cover seal and screw the cover back on.
- ▶ Check the magnetic oil drain screw for metallic wear.
- ▶ Shut down the machine and contact the manufacturer if there is visible wear.
- ▶ Screw the oil drain screw back in if there is no visible wear.
- ▶ Fill with fresh DEA ECONA E46 hydraulic oil until the fluid level on the dipstick is between the two marks

Disposing of used oil

WARNING



Environmental hazards due to improper disposal:

- ▶ Dispose of hydraulic oil in accordance with regulations and in an environmentally friendly manner.
- ▶ Observe and comply with the regional regulations and legal requirements applicable at the place of operation.

8 Troubleshooting

This section describes potential faults during operation, their potential causes and how to remedy them.

| Fault | Potential cause | Remedy |
|-----------------------------------------------------------------------------------------------------------------------------------------------------------------------|-----------------------------------------------|--------------------------------------------------------------------------------------------------------------------------------------------------------------------------------------------------|
| Yellow 'PRESSURE' indicator lamp does not light up when 160 bar is reached. | Battery is not charged. | Charge the battery and replace with a charged battery. |
| | Bulb in the indicator light defective. | Replace the bulb (see page 39). |
| Yellow 'PRESSURE' indicator lamp lights up. | Obstacle in the pipe puller's path. | Remove the obstacle. |
| White 'ON' indicator light does not light up 120 mm before the end of the pulling process. | Bulb in the indicator light defective. | Replace the bulb (see page 39). |
| The hydraulic oil smells and is getting too hot during the pulling process. The machine is getting hot. | The machine is pulling against a resistance. | Remove the resistance. Wait until the machine has cooled down. |
| The hydraulic pulling cylinder retracts without pulling the steel pulling rope. | The clamping jaws are not gripping. | Check the springs. Retighten the setscrew on the rear clamping tongs (see page 32). Have the clamping jaws replaced by the manufacturer if this measure is unsuccessful. |
| Steel pulling rope sags during the pulling process. | Steel pulling rope snapped. | Replace the steel pulling rope. |
| The pipe puller is not pulling. The 'max. pressure' indicator light on the control bulb does not light up. The battery is charged; the electrical connections are OK. | The hydraulic unit's motor isn't working. | Contact the manufacturer. |
| The pipe puller moves out of the pipe during the pulling process. | The sleeve tensioner isn't fixed in the pipe. | Secure the pipe puller in the pipe again with the sleeve tensioner (see section 5.5). Check the adapter pipe and adjust if necessary. Retighten the sleeve tensioner after the first pull. |

9 Accessories / spare parts

| Item no. | Brief description | Weight [kg] |
|----------|--------------------------------------------------------------|-------------|
| 284 040 | SZ10 pipe puller | 456.0 |
| 284 041 | SZ10 pipe puller with accessories | 849.0 |
| 284 970 | Tie beam size 1 – 800 to 1000 mm | 20.0 |
| 284 940 | Tie beam size 2 – 1000 to 1300 mm | 32.0 |
| 284 950 | Tie beam size 3 – 1300 to 1800 mm | 40.0 |
| 284 960 | Tie beam size 4 – 1800 to 2400 mm | 42.0 |
| 284 980 | Tie beam extension up to 2800 mm | 7.4 |
| AC4113E | Clamping jaws for tie beam size 1 | 0.2 |
| AC4111E | Clamping jaws for tie beam size 2 | 0.4 |
| AC4109E | Clamping jaws for tie beam size 3 / 4 | 0.6 |
| IB0141F | M10 x 25 cylinder head screw | |
| 139 380 | SB adapter pipe, 108 x 100 mm | 5.5 |
| 139 415 | SB adapter pipe, 108 x 200 mm | 10.0 |
| 139 430 | SB adapter pipe, 108 x 300 mm | 13.8 |
| 139 445 | SB adapter pipe, 108 x 500 mm | 17.7 |
| 139 385 | SB adapter pipe, 108 x 1000 mm | 28.0 |
| 139 400 | SB adapter pipe, 108 x 1500 mm | 37.5 |
| 138 030 | Pin, 125 x 20 mm | 0.35 |
| 138 200 | Spring cotter, 92 x 5 mm | 0.05 |
| 284 905 | Steel pulling rope, L = 20 m / D = 18 mm | 55.0 |
| 284 830 | Steel pulling rope, L = 35 m / D = 18 mm | 67.0 |
| 284 850 | Steel pulling rope, L = 50 m / D = 18 mm | 89.0 |
| 284 880 | Steel pulling rope sling chain, two-leg L = 1.50 m / = 20 mm | 46.0 |
| 284 503 | Charger, 7.0 A; 12 / 24 V | 1.0 |
| 284 025 | Transport frame | 180.0 |
| 281 650 | SZ10 control bulb | 2.0 |
| 281 420 | SZ10 cable reel | 14.0 |
| 281 475 | SZ10 sleeve tensioner, standard | 84.00 |
| 281 477 | SZ10 sleeve tensioner, egg-shaped section 150 | 61.0 |
| 281 480 | SZ10 sleeve tensioner, straight | 75.0 |
| 280 455 | SE50 / 70 plug | 0.1 |
| 280 050 | SZ10 seal set for opening cylinder | 0.1 |
| 280 051 | SZ10 seal set for pulling cylinder | 0.1 |
| 280 011 | SZ10 battery | 48.0 |

10 EC declaration of conformity



thyssenkrupp Infrastructure GmbH

EG-Konformitätserklärung

nach EG-Richtlinie 2006/42/EG über Maschinen, Anhang II 1.A (Amtsblatt der EU L157/24 vom 9.6.2006)

Hersteller: **thyssenkrupp Infrastructure GmbH**
Ottostr. 30, 41836 Hückelhoven

Produkt: **Seilzugmaschine**

Typ: **SZ 10**

Der Hersteller erklärt hiermit in alleiniger Verantwortung, dass das Produkt allen einschlägigen Bestimmungen sowie allen relevanten grundlegenden Sicherheits- und Gesundheitsschutzanforderungen der EG-Richtlinie 2006/42/EG über Maschinen (Amtsblatt der Europäischen Union L157/24 vom 9.6.2006) entspricht.

Darüber hinaus entspricht das Produkt der Richtlinie 2014/30/EU über Elektromagnetische Verträglichkeit (Amtsblatt der Europäischen Union L96/97 vom 29.3.2014).

Folgende harmonisierte Normen wurden angewandt:

| | |
|----------------------|-----------------------------------------------------------------------------------------------------------------|
| EN ISO 12100:2010-11 | Sicherheit von Maschinen – Allgemeine Gestaltungsleitsätze – Risikobewertung und Risikominderung |
| EN ISO 4413:2010 | Fluidtechnik – Allgemeine Regeln und sicherheitstechnische Anforderungen an Hydraulikanlagen und deren Bauteile |
| EN ISO 13849-1:2015 | Sicherheit von Maschinen – Sicherheitsbezogene Teile von Steuerungen – Teil 1: Allgemeine Gestaltungsleitsätze |
| EN ISO 13850:2015 | Sicherheit von Maschinen – Not-Halt – Gestaltungsleitsätze |
| EN 60204-1:2018 | Sicherheit von Maschinen – Elektrische Ausrüstung von Maschinen – Teil 1: Allgemeine Anforderungen |

Dokumentationsbevollmächtigter:

Herr Roland Moll, Leiter technisches Büro, Sparte Grabenverbau

thyssenkrupp Infrastructure GmbH

Ottostr. 30, 41836 Hückelhoven, Tel.: +49 2433-453-0

Hückelhoven, 10.09.2021
Ort, Datum

i.V. 
Herr Roland Moll, Leiter technisches Büro

terra infrastructure

terra infrastructure GmbH

Hollestrasse 7a
45127 Essen, Germany
T: +49 201 844-562313
F: +49 201 844-562333
info@terra-infrastructure.com
www.terra-infrastructure.com

Trench Shoring

terra infrastructure GmbH
Ottostr. 30
41836 Hückelhoven, Germany
T: +49 2433 453-0
F: +49 2433 453-100
trenchshoring@terra-infrastructure.com